

UV radiation is the primary factor driving the variation in leaf phenolics across Chinese grasslands

Litong Chen^{1,*}, Kechang Niu^{2,*}, Yi Wu², Yan Geng², Zhaorong Mi¹, Dan F.B. Flynn^{1,3} & Jin-Sheng He^{1,2}

¹Key Laboratory of Adaptation and Evolution of Plateau Biota, Northwest Institute of Plateau Biology, Chinese Academy of Sciences, 23 Xinning Rd, Xining 810008, China

²Department of Ecology, College of Urban and Environmental Sciences, and Key Laboratory for Earth Surface Processes of the Ministry of Education, Peking University, Beijing 100871, China

³Institute of Evolutionary Biology and Environmental Studies, University of Zurich, Zürich 8057, Switzerland

Keywords

Inner Mongolia, leaf functional traits, leaf phenolics, Tibetan Plateau, ultraviolet absorbing compounds, UV radiation.

Correspondence

Jin-Sheng He, Key Laboratory of Adaptation and Evolution of Plateau Biota, Northwest Institute of Plateau Biology, Chinese Academy of Sciences, 23 Xinning Rd, Xining 810008, China.

Tel: +86-971-6111073;

Fax: +86-971-6143282;

E-mail: jshe@pku.edu.cn

Funding Information

This work was supported by the National Natural Science Foundation of China (Grant No. 31025005, 31021001, and 31200306), National Program on Key Basic Research Project (Grant No. 2010CB950602,) and Chinese Academy of Sciences Fellowships for Young International Scientists (Grant No. 2012Y15A0010).

*These authors contributed equally to this work.

Received: 11 March 2013; Revised: 29 September 2013; Accepted: 30 September 2013

Ecology and Evolution 2013; 3(14): 4696–4710

doi: 10.1002/ece3.862

Introduction

As a broad class of carbon-based secondary metabolites, leaf phenolics have received much attention due to their functional significances in plant ecological adaptation and evolution (Fraenkel 1959; Stafford 1991; Rozema et al.

Abstract

Due to the role leaf phenolics in defending against ultraviolet B (UVB) under previously controlled conditions, we hypothesize that ultraviolet radiation (UVR) could be a primary factor driving the variation in leaf phenolics in plants over a large geographic scale. We measured leaf total phenolics, ultraviolet-absorbing compounds (UVAC), and corresponding leaf N, P, and specific leaf area (SLA) in 151 common species. These species were from 84 sites across the Tibetan Plateau and Inner Mongolian grasslands of China with contrasting UVR (354 vs. 161 mW/cm² on average). Overall, leaf phenolics and UVAC were all significantly higher on the Tibetan Plateau than in the Inner Mongolian grasslands, independent of phylogenetic relationships between species. Regression analyses showed that the variation in leaf phenolics was strongly affected by climatic factors, particularly UVR, and soil attributes across all sites. Structural equation modeling (SEM) identified the primary role of UVR in determining leaf phenolic concentrations, after accounting for colinearities with altitude, climatic, and edaphic factors. In addition, phenolics correlated positively with UVAC and SLA, and negatively with leaf N and N:P. These relationships were steeper in the lower-elevation Inner Mongolian than on the Tibetan Plateau grasslands. Our data support that the variation in leaf phenolics is controlled mainly by UV radiation, implying high leaf phenolics facilitates the adaptation of plants to strong irradiation via its UV-screening and/or antioxidation functions, particularly on the Tibetan Plateau. Importantly, our results also suggest that leaf phenolics may influence on vegetation attributes and indirectly affect ecosystem processes by covarying with leaf functional traits.

1997; Jansen et al. 1998; Cockell and Knowland 1999; Agrawal and Fishbein 2008). Owing to their important roles in protecting plants from UV radiation, the functions of leaf phenolics have gained new interest (Agati and Tattini 2010; Pollastri and Tattini 2011). Ultraviolet-B (UVB) radiation reaching the Earth's surface increased

significantly in the last several decades. And future variation in UV radiation resulting from rapid changes in global climate (e.g., cloud cover and aerosol) and land use may have more important consequences on terrestrial ecosystems than that caused by ozone depletion (Ballare *et al.* 2011). Therefore, leaf phenolics are likely to be key in the response of ecosystems to ongoing and future climate changes.

Phenolic compounds, which occur in nearly all plant species with concentrations up to 5–40% dry weight in leaves (Peñuelas *et al.* 2011), usually are assumed as a result of antiherbivore and/or antioxidants to UV radiation (UVR) (Coley *et al.* 1985; Rozema *et al.* 1997; Close and McArthur 2002; Agati and Tattini 2010). Yet, with ubiquitous occurrence of numerous kinds of phenolic compounds across diverse species and in heterogeneous environments (Levin 1971; de Jong 1995), it remains a challenge to clarify the functional roles of leaf phenolics in plant responses to environmental changes and adaptations to the long-term environmental stress, such as UVR.

To determine the potential drivers affecting the abundance and distribution of leaf phenolics, previous studies have focused on the effects of experimental manipulation of temperature (Kuokkanen *et al.* 2001; Pennycooke *et al.* 2005; Zvereva and Kozlov 2006; Albert *et al.* 2009), nutrient availability (de la Rosa *et al.* 2001; Sundqvist *et al.* 2012), and water availability (Turtola *et al.* 2005). In particular, many studies have consistently documented that excess light and UVB radiation have a crucial impact on the concentrations of plant phenolic compounds under controlled experiments (Hofmann *et al.* 2000; de la Rosa *et al.* 2001; Searles *et al.* 2002; Turtola *et al.* 2005; Dunn and Robinson 2006; Martz *et al.* 2007; Thines *et al.* 2007). In addition, plant phenolics have been found to function primarily in protecting leaves from photo-oxidative damage, rather than herbivore damage, by acting as antioxidants (Close and McArthur 2002; Ryan *et al.* 2002; Agati *et al.* 2009, 2011, 2012; Agati and Tattini 2010). However, the few studies measuring of leaf total phenolics in response to UVR in the variable natural environments, particularly at the large geographic and taxonomic scales, have found mixed results. In particular, long-term manipulations of UVR in the field have found only limited responses of leaf phenolics (Rozema *et al.* 2006), and field surveys have found that temperature, rather than UVR, may be the primary driver of leaf phenolics (Albert *et al.* 2009). Consequently, the functional roles of leaf phenolics in plant self-protection still remain to be identified with substantial data at the large geographic and taxonomic scales.

Grasslands cover about 40% of China's land surface (Kang *et al.* 2007), including the high-altitude Tibetan

Plateau with a mean elevation of ≥ 4000 m and relatively low-altitude Inner Mongolian Plateau. Chinese grasslands provide an excellent opportunity to evaluate the response of leaf phenolics to UVR at the large geographic scale. We predicted that UV radiation could be the primary factor driving the variation in leaf phenolics across broad geographic range of Chinese grasslands. As a result, we further anticipated that plants from the Tibetan Plateau will have higher leaf phenolics than those in the Inner Mongolian Plateau due to strong UVB radiation at high altitudes. Therefore, we firstly test this hypothesis by relating leaf phenolics to field UVR and other climate factors across the broad geographic and taxonomic scales. We then explore the correlations between leaf phenolics and nutrient availability in the soil, leaf nutrient concentrations, and the growth trait specific leaf area (SLA). The relationships between leaf phenolics and these functional traits suggest that there is a fundamental trade-offs between defense, growth, and reproduction (Bazzaz and Grace 1997) from individual to population and species and even site level (Ackerly *et al.* 2000; Suding *et al.* 2003; Violle *et al.* 2007), yet such work has only been conducted at local scales or in glasshouse settings.

In this study, we investigated the variation in leaf total phenolics, UV-absorbing compounds (UVAC), corresponded SLA and leaf N and P in 342 populations belonging to 151 species. These species were from 84 sites across the Tibetan Plateau and Inner Mongolian grasslands with contrasting UVR (354 vs. 161 mW/cm² on average). The study is the first to quantify the variation in leaf phenolics and relationships between leaf phenolics, environmental factors, and functional traits across a large group of species at the broad geographic scale. Specifically, we address the following questions: (i) Are leaf phenolics from Tibetan Plateau higher than those in Inner Mongolia? (ii) Is UVR the primary driver of leaf phenolic concentrations in comparison with other climatic factors and soil attributes at site level across the large geographic scale? (iii) How do leaf phenolics covary with leaf UVAC and other leaf functional traits such as SLA, leaf N, P, and N:P in contrasting flora regions at site and species levels?

Material and Methods

Site selection and species sampling

Based on our previous studies, we selected 84 sites in the grasslands of Tibetan Plateau and Inner Mongolia from late July to early August in 2006 and 2007 (Fig. 1, Table S1). These sites were selected to be representative of low-disturbance grazing in each area. Of the 84 sites, 28 were alpine meadow, 19 alpine steppes, 24 typical steppes, 7 desert

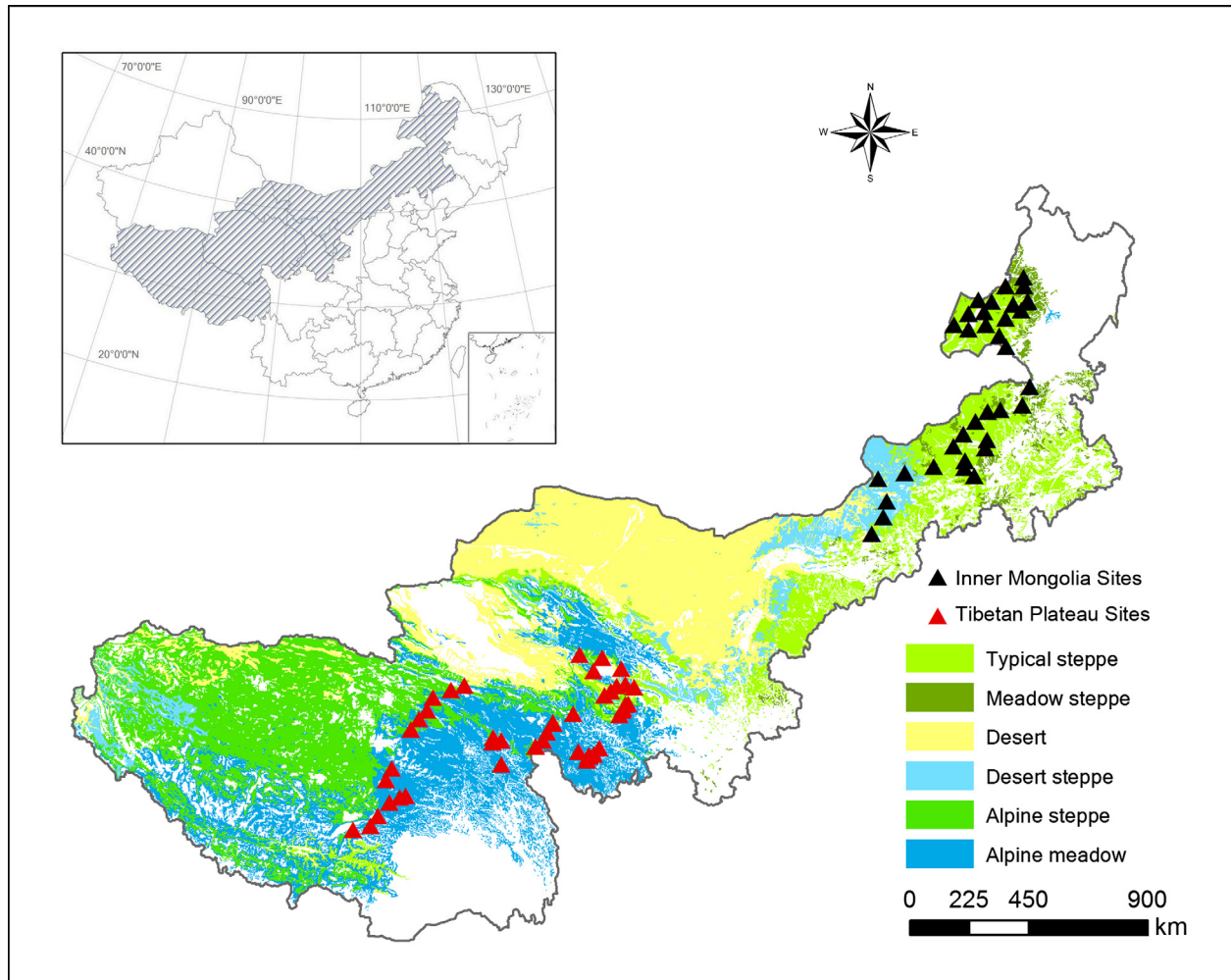


Figure 1. Vegetation map of the 84 sampling sites on the Tibetan Plateau (red triangles) and Inner Mongolia (black triangles) grasslands, selected from the Vegetation Map of China (Chinese Academy of Sciences 2001).

steppes, and 6 meadow steppes (Table S1). The Tibetan Plateau grassland is characterized by *Kobresia*-dominated alpine meadow and *Stipa*-dominated alpine steppe. In contrast, the Inner Mongolian grasslands include *Stipa*-dominated typical steppe and desert steppe, and *Stipa*- and *Leymus*-dominated meadow steppe. At each site, sun-exposed and newly mature leaves (leaf blades for grasses) of five to ten plants of each species were sampled to determine SLA and concentrations of leaf C, N, P, leaf phenolics, and UVAC. Defining the occurrence of a species at a site as a population, we sampled 342 populations belong to 151 dominant species from 77 genera and 27 families (Fig. S1, Table S2). We recorded the geographic coordinates, elevation, climate data, and vegetable type for each site (Table S1). Descriptions of sampling protocol and measurements of leaf C, N, and P have been detailed in our previous studies (He *et al.* 2006a,b, 2008).

Leaf total phenolics and UV-absorbing compounds measurements

Using 10 mg of ground dry leaf samples, we measured leaf total phenolics with the improved Folin–Ciocalteu method (Box 1983) and determined the concentrations of methanol-extractable ultraviolet-absorbing compounds (UVAC) following the procedure of Huttunen *et al.* (2005), respectively. Because UVAC such as flavonoids have either an intense absorption band around 260 nm with a weaker band above 300 nm (isoflavones, flavanones), or two bands of about equal intensity, one around 260 nm and the other around 340 nm (flavones) or 360 nm (flavonols) (Cerovic *et al.* 2002), the absorbing curve of the extracts was analyzed with the spectrophotometer (Pye Unicam UV4-100, Thermo Electron Corp., Waltham, MA, USA) between 240 and 360 nm. For simplicity, we use total

integrated UV absorption between 240 and 360 nm to indicate UVAC of each individual sample.

UV radiation measurements

We measured solar ultraviolet radiation (UV radiation) at each site on a cloudless day during the sampling campaign. We measured the daily UV radiation five times at each site (between 12 a.m. and 14 p.m. in the Inner Mongolian and Tibetan Plateau grasslands, respectively, Beijing Time) by an ultraviolet intensity meter (UVB dual-channel, Beijing Normal University Optical and Electronic Instrument Factory) with fixed wavelength at 290 nm. At large geographic scales, these measurements will be representative of the UV radiation at sampling sites. Due to the very extensive spatial scale of this work, it would have been impractical to install fixed UV-detecting spectroradiometers at each site.

Soil attributes and climatic variables collections

At each site, three soil pits were excavated to collect soil samples. Soil samples for chemical analysis were air-dried, sieved (2 mm mesh), and handpicked to remove fine roots, and the remaining soil was ground using a ball mill (NM200; Restch, Haan, Germany). We measured soil inorganic carbon using an inorganic carbon analyzer (Calcimeter 08.53; Eijkelkamp, Giesbeek, Netherlands), and soil total carbon (STC) using an elemental analyzer (VARIO ELIII; Elementar, Hanau, Germany), respectively. Soil organic carbon (SOC) was then determined as the difference between STC and SIC. Soil total nitrogen (STN) was also measured with an elemental analyzer (PE 2400 II CHN elemental analyzer; Perkin-Elmer, Boston, MA, USA). Soil sampling procedures and measurements have also been detailed in a previous study (Shi *et al.* 2012).

In situ measurements of temperature would have many advantages; however, it would be an enormous challenge to conduct such measurements of temperature because of the large number of sampling sites (84), and the broad distribution of these sites across Chinese grasslands, mainly in quite remote areas, where permanent climate stations solely for the purpose of this study are not practical. Therefore, the climate data used in this study including growing season temperature (GST, from May to September) and growing season precipitation (GSP) were compiled from the 1950–2000 temperature/precipitation records of a global climate database (Hijmans *et al.* 2005). Although the uncertainties in the climate database (Hijmans *et al.* 2005), it is currently the only available database at the broad geographic scale in Chinese grasslands. Greater availability of

high-resolution temperature data at the biome scale would increase the accuracy of future work in this area.

Statistical analyses

Calculations of the means of variables for site and species level

We calculated total leaf phenolics, UVAC, SLA, leaf N, P, and N:P ratio for each species by averaging individual plant measurements within species at each site to produce a species-by-site dataset. We then calculated these variables for site level by averaging the dominant species of each site to produce a dataset of site means. Finally, we calculated these variables at the species level by averaging measurements within species to produce a dataset of species means. We used \log_{10} transformations to normalize the distributions.

Phylogenetic generalized least-squares (PGLS) regressions

To account for the phylogenetic independence between species (Freckleton *et al.* 2002), we used phylogenetic generalized least-squares (PGLS) regressions. The PGLS regressions can be used to compare multiple traits as predictors of leaf phenolics, as well as to calculate trait means in after controlling for phylogenetic relatedness and to analyze each bivariate combination of traits. These analyses were designed to determine whether region-level differences were being driven by higher order-taxonomic interactions. That is, whether responses of species are more heavily affected by taxon than the region in which they were sampled (Wright *et al.* 2002), following Wright *et al.* (2010). Using the method, we also tested for relationships among traits to account for phylogenetic associations following Holdaway *et al.* (2011). We used a Phylomatic phylogeny (Webb and Donoghue 2005) (Fig. S1) based on the order and family-level classifications of the Angiosperm Phylogeny Group. Branch lengths for this composite phylogeny were estimated according to the method of Grafen (1989) using the *ape* package in R (Paradis *et al.* 2004). We calculated the phylogenetic correlation (λ) using maximum likelihood (Freckleton *et al.* 2002). Lambda values range between 0 and 1, and traits that are phylogenetically independent have λ close to 0, whereas those that covary in proportion to their level of relatedness have λ close to 1. As PGLS parameters depend upon the order of the model, we modeled all traits combinations in both directions, to be conservative, only report those that are significant in both cases. Multiple and single regression in PGLS were carried out using the *caper* package in R.

Comparisons of leaf phenolics and UVAC between regions

We determined the differences of leaf phenolics and UVAC between regions using independent-sample *t*-tests at the site level and the PGLS at the species level. We employed one-way ANOVA with a Duncan post hoc test to test the differences of these traits among functional groups, vegetative types, and the nine most common genera at species level (Table S3), and the differences of leaf phenolics and UVAC among/within the same genus between Inner Mongolian and Tibetan Plateau grasslands (Fig. 4).

Determination of the primary driver of leaf phenolics

We used linear regressions to understand the effects of climatic factors and soil attributes on leaf phenolics. Determining how these variables affect leaf phenolics is challenging because variables measured in the field are highly intercorrelated. We therefore performed structural equation modeling (SEM) with the site-level dataset using the *sem* package in R (Fox 2006) to further describe the interactive effects of environmental factors on leaf phenolics. Structural equation modeling analysis allowed us to construct alternative hypotheses for the relationships between climatic, soil, and other site variables, for the

relationships between these variables and leaf phenolics. Our goal was to isolate the influence of UV radiation on leaf phenolic concentrations, after accounting for all other variables. After reconsidering the logic among environmental variables, we constructed six SEM models to focus only on the relationships of interest, in particular by comparing models with and without UVR (Fig. 2). Data were *z*-transformed before analysis, and alternative models were evaluated based on remaining unexplained error as expressed by root mean squared error (RMSE) and the SEM comparative fit index (CFI).

Determination of the relationships between leaf phenolics and other leaf traits

We explored the relationships between leaf phenolics and leaf traits (SLA, UVAC, leaf N, P, and N:P ratio) using linear regressions at site level, and the PGLS regressions at species level, respectively.

Results

Leaf phenolics from Tibetan Plateau were higher than those in Inner Mongolia

Across the 84 field sites, leaf phenolics ranged from 0.61 to 190.55 mg/g with an average of 21.38 mg/g, and

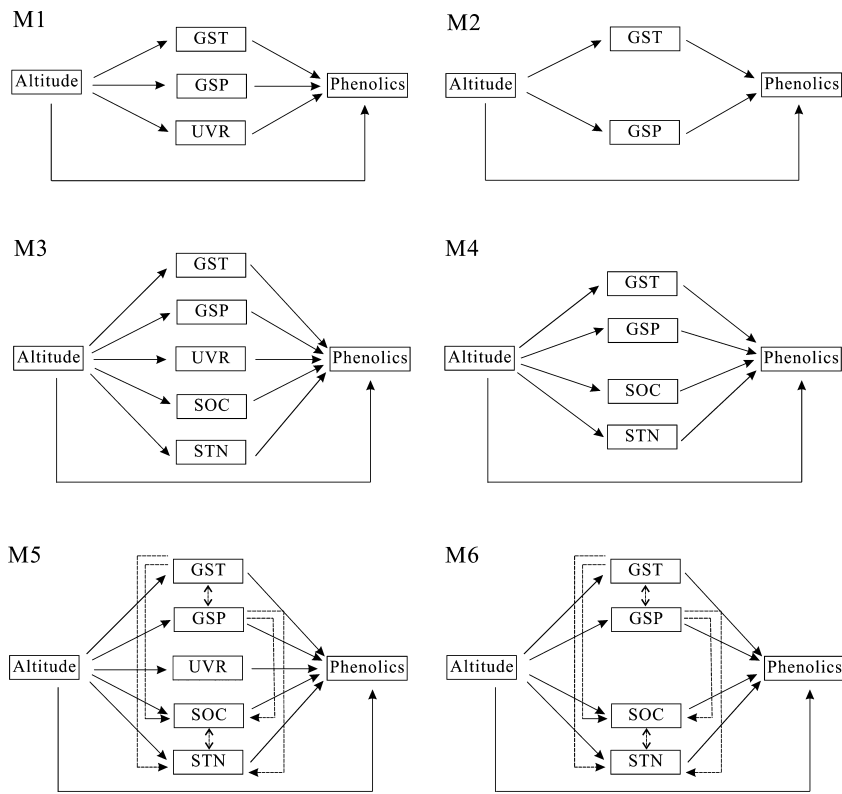


Figure 2. Structural equation models tested for combinations of growing season temperature and precipitation (GST, GSP), UV radiation (UVR), soil organic carbon (SOC), and soil total nitrogen (STN), in combination with altitude as predictors of environmental effects on leaf phenolics. Models were constructed to represent the effect of GST, GSP, UVR, SOC, or STN on leaf phenolics as functions of altitude, because the indices used here are largely affected by altitude. These models were chosen to test the degree to which environmental factors affect leaf phenolics, taking into account the correlations between these metrics.

UVAC ranged from 1.65 to 16.39 mg/g with an average of 9.00 mg/g. In the Inner Mongolian grasslands, leaf phenolics and UVAC ranged between 0.61–35.80 and 1.65–13.52 mg/g with an average of 7.44 and 6.08 mg/g, respectively. By contrast, leaf phenolics and UVAC varied between 8.50–190.55 and 3.63–16.39 mg/g with an average of 32.36 and 11.30 mg/g on the Tibetan Plateau grasslands, respectively. At the site level, leaf phenolics and UVAC showed significant differences between Inner

Mongolian and Tibetan Plateau grasslands. For example, the mean of leaf phenolics on the Tibetan Plateau grasslands was over four time higher than those in the Inner Mongolian grasslands (32.36 vs. 7.44 mg/g) (Fig. 3A), and the mean of leaf UVAC on the Tibetan Plateau grasslands was almost two time higher than that in the Inner Mongolian grasslands (11.30 vs. 6.08 mg/g) (Fig. 3C).

For all 151 species, leaf phenolics varied from 0.11 to 190.55 mg/g with an average of 24.69 mg/g, and UVAC

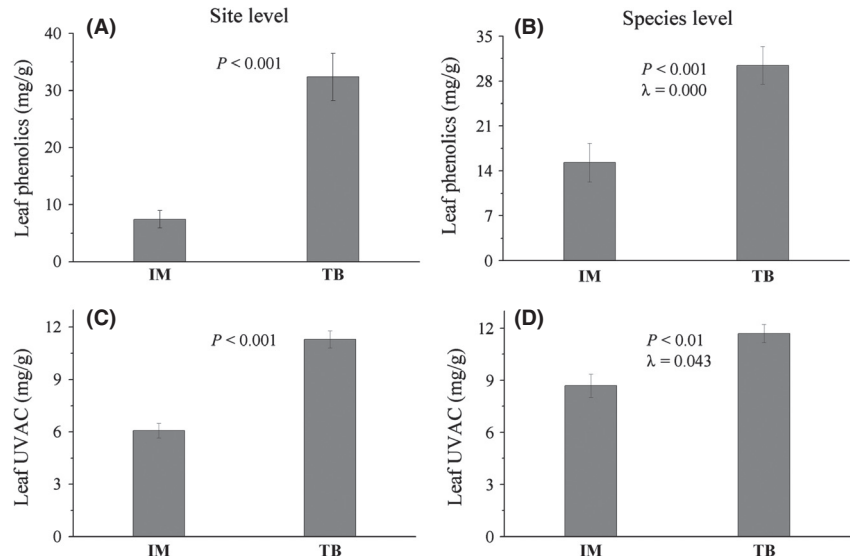


Figure 3. Leaf phenolics and UVAC for grassland plants sampled in Inner Mongolia (IM, 37 sites and 59 species) and Tibetan Plateau (TB, 47 sites and 101 species) at both site and species levels. The values indicate means \pm SE, and means are compared using independent-sample t -test and PGLS regression at site and species level, respectively; lambda (λ) values indicate phylogenetic independence of traits.

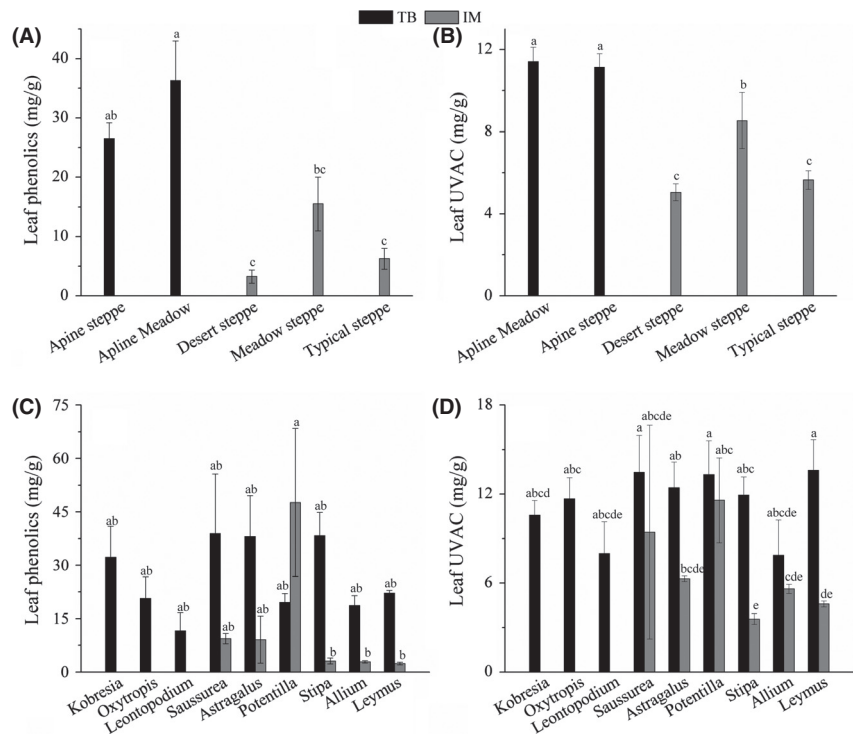


Figure 4. Leaf phenolics and UV-absorbing compounds (UVAC) for five vegetable types and nine common genera (with more than 10 species) at species level. The values indicate means \pm SE, with different letters above the values indicating significant difference ($P < 0.05$) among genera and, between Inner Mongolia and Tibetan Plateau grasslands tested using one-way ANOVA with a Duncan post hoc test.

varied from 2.53 to 30.35 mg/g with an average of 10.60 mg/g. In the Inner Mongolian grasslands, leaf phenolics and UVAC ranged between 0.11–116.54 and 2.61–27.82 mg/g with an average of 15.28 and 8.70 mg/g, respectively. By contrast, leaf phenolics and UVAC varied between 1.02–190.55 and 2.53–30.35 mg/g with an average of 30.43 and 11.69 mg/g on the Tibetan Plateau grasslands, respectively. Similarly, at the species level, leaf phenolics and UVAC show markedly differences between Inner Mongolian and Tibetan Plateau grasslands. The mean of leaf phenolics and UVAC on the Tibetan Plateau grasslands was almost two time higher than those in the

Inner Mongolian grassland (30.43 vs. 15.28 mg/g and 11.69 vs. 8.70 mg/g), which was not affected by phylogenetic association ($\lambda = 0.000$, Fig. 3B and D).

For vegetative type, leaf phenolics and UVAC in alpine meadow and steppe dominant in the Tibetan Plateau grasslands were significantly higher than those in typical, meadow, and desert steppe common in the Inner Mongolian grasslands (Fig. 4A and B). At the genus level, they were also significantly lower in *Leymus* and *Allium* dominant in the Inner Mongolian grasslands than those in other 7 genera dominant in the Tibetan Plateau grasslands (Table S3), and within the same

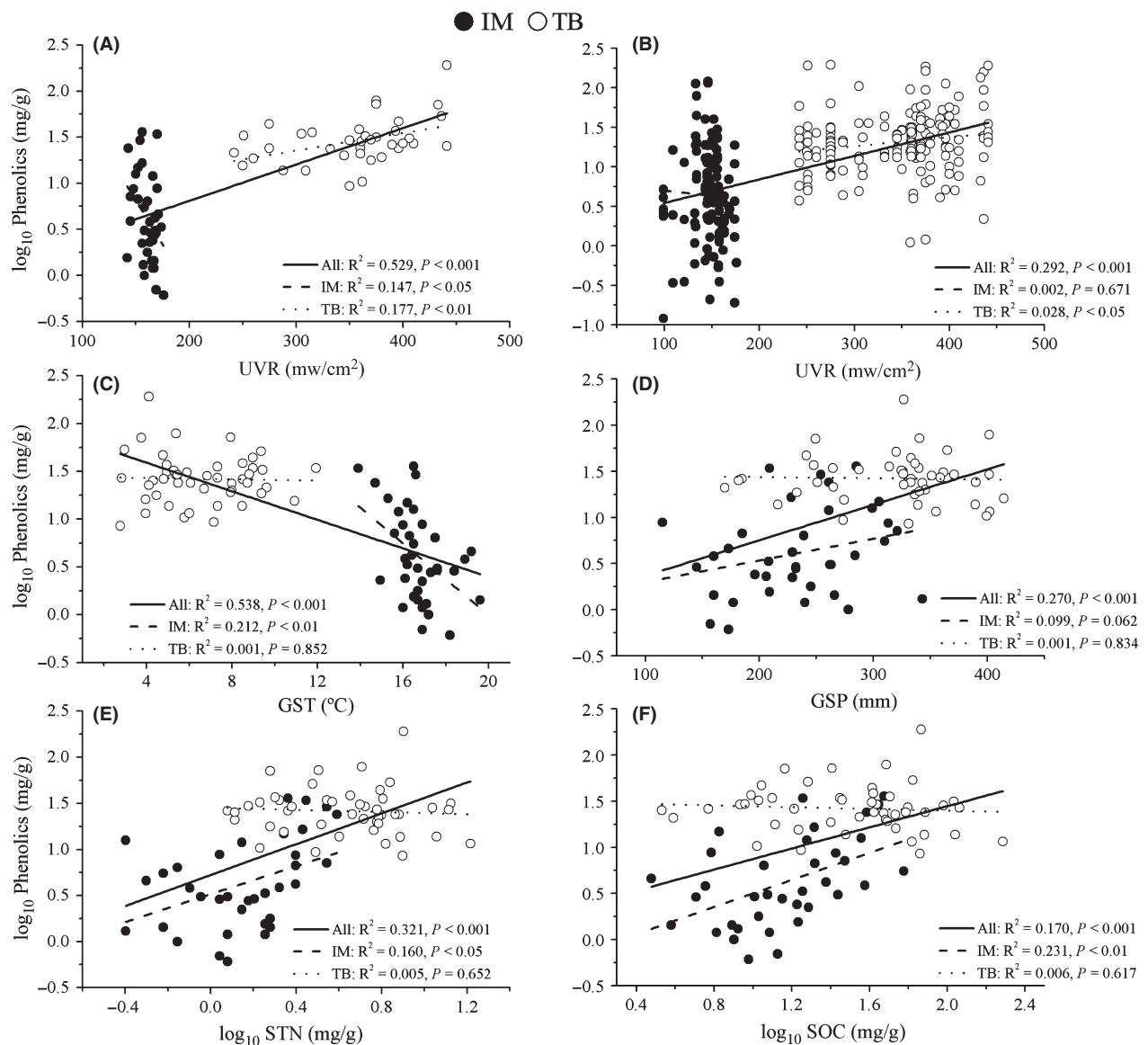


Figure 5. Relationships between leaf phenolics and environmental factors: (A, B) UVR at the site and species-by-site levels, respectively; (C) GST, (D) GSP, (E) STN, (F) SOC at the site level. R-squared (R^2) and P -values for overall and contrasting regions (IM, Inner Mongolia; TB, Tibetan Plateau) were estimated at the site level using linear regression models.

genus such as *Saussurea*, *Astragalus*, *Stipa*, *Allium*, and *Leymus* except *Potentilla*, they were higher on the Tibetan Plateau than those in Inner Mongolian grasslands despite not significantly (Fig. 4C and D). For functional groups, leaf phenolics and UVAC in herb and grass were higher than those in shrub, but not significantly so (Table S3).

UVR was the primary driver of leaf phenolics

Across all grasslands, a significant positive relationship between leaf phenolics and UVR was found at both the site level (Fig. 5A) and species-by-site level (Fig. 5B). However, this relationship differed within the Tibetan Plateau and Inner Mongolian grasslands. For instance, leaf phenolics significantly increased with UVR on the Tibetan Plateau grasslands at both the site level and species-by-site level, whereas it decreased markedly with UVR at the site level, and even had no relation with UVR at species-by-

site level in the Inner Mongolian grasslands, where the varying range of UVR across sites was quite narrow (142–176 mW/cm²) (Fig. 5A and B). Additionally, leaf phenolics were significantly negatively correlated with GST (Fig. 5C) while positively correlated with GSP (Fig. 5D), STN (Fig. 5E), and SOC (Fig. 5F) at the site level. However, the strength of these correlations became weaker in the Inner Mongolia grasslands, even disappeared on the Tibetan Plateau grasslands (Fig. 5C–F).

Structural equation modeling analysis showed that UV radiation was the strongest driver of leaf phenolic concentrations at the site level (Fig. 6). The SEM with altitude as the primary driver for all climatic and site characteristics, and where the covariances between climate and soil factors and UVR were included was the best fitting of the six alternative structures evaluated (Table 1).

Leaf phenolics covaried with other leaf traits

Linear and PGLS regression analyses showed that leaf phenolics were strongly and positively correlated with UV-absorbing compounds (UVAC) at both the site and species level. Single and Multiple regressions showed that the strength of the correlations were strongest in the Inner Mongolian grasslands (Fig. 7A and B, Table S4), and these relationships were not influenced by the plant relatedness (all $\lambda = 0.000$). Leaf phenolics were also significantly and positively correlated with SLA (Fig. 7C and D), but negatively correlated with leaf N (Fig. 8A and B) and N: P ratios (Fig. 8E and F), and had no relationship with leaf P (Fig. 8C and D) at either the site or species level. The relationships between leaf phenolics and other leaf traits were independent of the phylogeny (all $\lambda = 0.000$) in the Tibetan Plateau grasslands, conversely they were much more affected by the phylogenetic association ($\lambda = 0.302$ – 0.517) in the Inner Mongolian grasslands. Considering the contrasting regions, the correlations between leaf phenolics and other leaf traits became significantly steeper in the Inner Mongolian grasslands (Table 2, Figs. 7, 8).

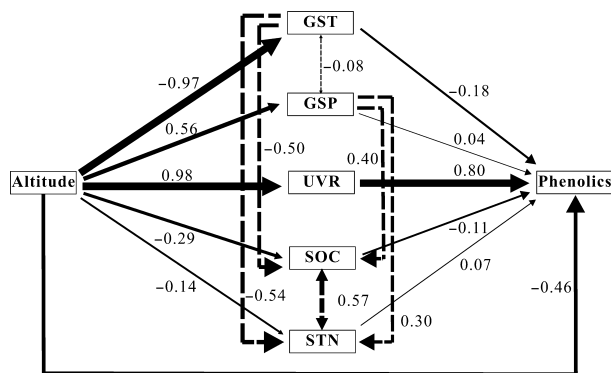


Figure 6. Best-fit structural equation model combining Altitude, GST, GSP, UVR, SOC, and STN across all sites ($\chi^2 = 6.04$, $df = 4$, $P = 0.20$). The model shown (M5 in Table 1) includes the correlations among environmental factors. The width of arrows indicates the strength of the causal effect. Values give the standardized coefficients for the relationship between “upstream” and “downstream” variables. See Fig. 2 for the full set of models.

Table 1. Results of structural equation modeling comparisons for the effects of altitude, GST, GSP, UVR, SOC, and STN as predictors of the environmental effect on leaf total phenolics across 84 sites from Inner Mongolia and Tibetan Plateau grasslands. Model M5 is the final model presented in Fig. 6; see the Supporting Information for the other models.

Model	No. sites	χ^2	df	P	BIC	RMSEA	CFI
M1	84	15.24	3	0.002	1.951	0.222	0.979
M2	84	13.17	1	0.000	8.744	0.383	0.959
M3	84	208.09	10	0.000	163.784	0.489	0.752
M4	84	202.05	6	0.000	175.468	0.627	0.624
M5	84	6.04	4	0.196	-11.685	0.078	0.997
M6	84	-6.03E-13	0	1.000	0.000	NA	NA

Discussion

UV radiation (UVR) as a primary driver affecting plant phenolics

Previous studies of the role of phenolics have largely focused on a specific phenolic component within a few given species in a controlled setting, for example, the role of flavonoids, phenolic acids, and condensed tannins in grass, woody, moss, or other species in response to ultraviolet-B radiation (Hofmann *et al.* 2000; de la Rosa *et al.* 2001; Turtola *et al.* 2005; Dunn and Robinson 2006; Martz *et al.* 2007; Thines *et al.* 2007). However, in the field, it is challenging to distinguish the effects of herbivory and UVR on the production of leaf phenolics, much less the role of particular phenolic compounds. As shown in other studies, the variation in the concentrations of leaf phenolics in natural conditions reflects both the responses of an individual plants to environmental stressors (e.g.,

UVR or grazing) as well as species-level adaptations to such stressors (Rozema *et al.* 1997; Jansen *et al.* 1998). To this end, we minimized the effects of disturbances (e.g., grazing) on generating leaf phenolics by sampling plants from undisturbed grasslands. In this case, our results suggested that the variation of leaf phenolics mainly resulted from protection against UVR, rather than grazing by herbivores. We found that leaf phenolics in plants from the high-elevation Tibetan Plateau grasslands, where UVR is relatively higher, were significantly higher than that in plants growing in the Inner Mongolian grasslands with lower and narrower range of UVR for species, genera, and vegetative types at site level. Furthermore, the difference between Tibetan Plateau and Inner Mongolian grasslands was independent of the phylogeny. Importantly, across all our study sites, leaf phenolics significantly increased with UVR, and SEM analysis showed that UVR is the primary factor driving the variation in leaf phenolics. Our findings were consistent with many

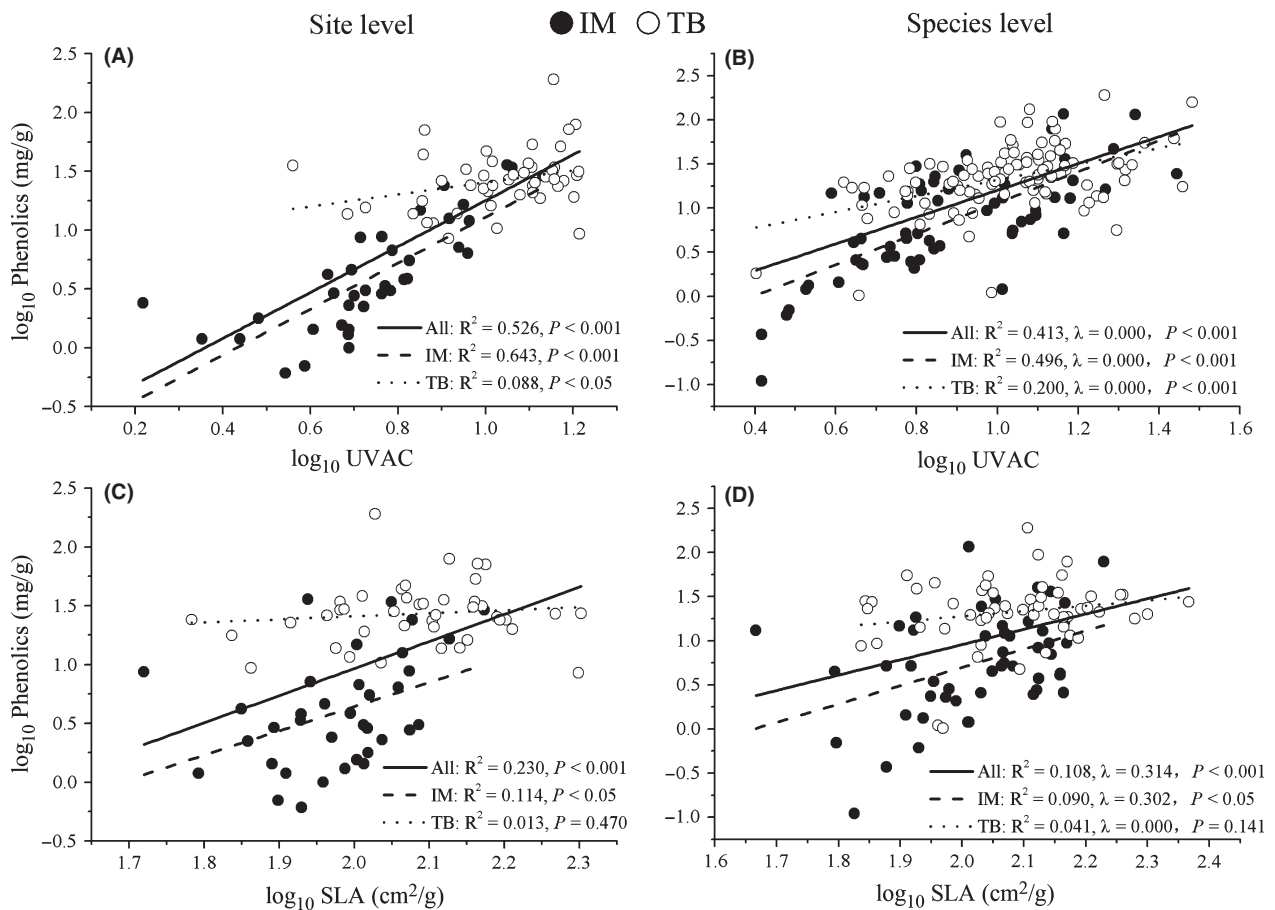


Figure 7. Relationships between leaf phenolics and other leaf traits: (A, B) ultraviolet-absorbing compounds (UVAC), (C, D) specific leaf area (SLA) at the site and species level, respectively. R-squared (R^2) and P -values for overall and contrasting regions (IM, Inner Mongolia; TB, Tibetan Plateau) were estimated at the site level using linear regression models, and at the species level using PGLS regression; Lambda (λ) values indicate phylogenetic independence of traits.

above-mentioned studies under controlled experiments showing that high light and UVB resulted in the accumulation of leaf phenolics. However, other studies showed

that total leaf phenolics did not exhibit apparent changes following short-term manipulated UVR (Rousseaux et al. 1998; Salt et al. 1998; Levizou and Manetas 2001). We

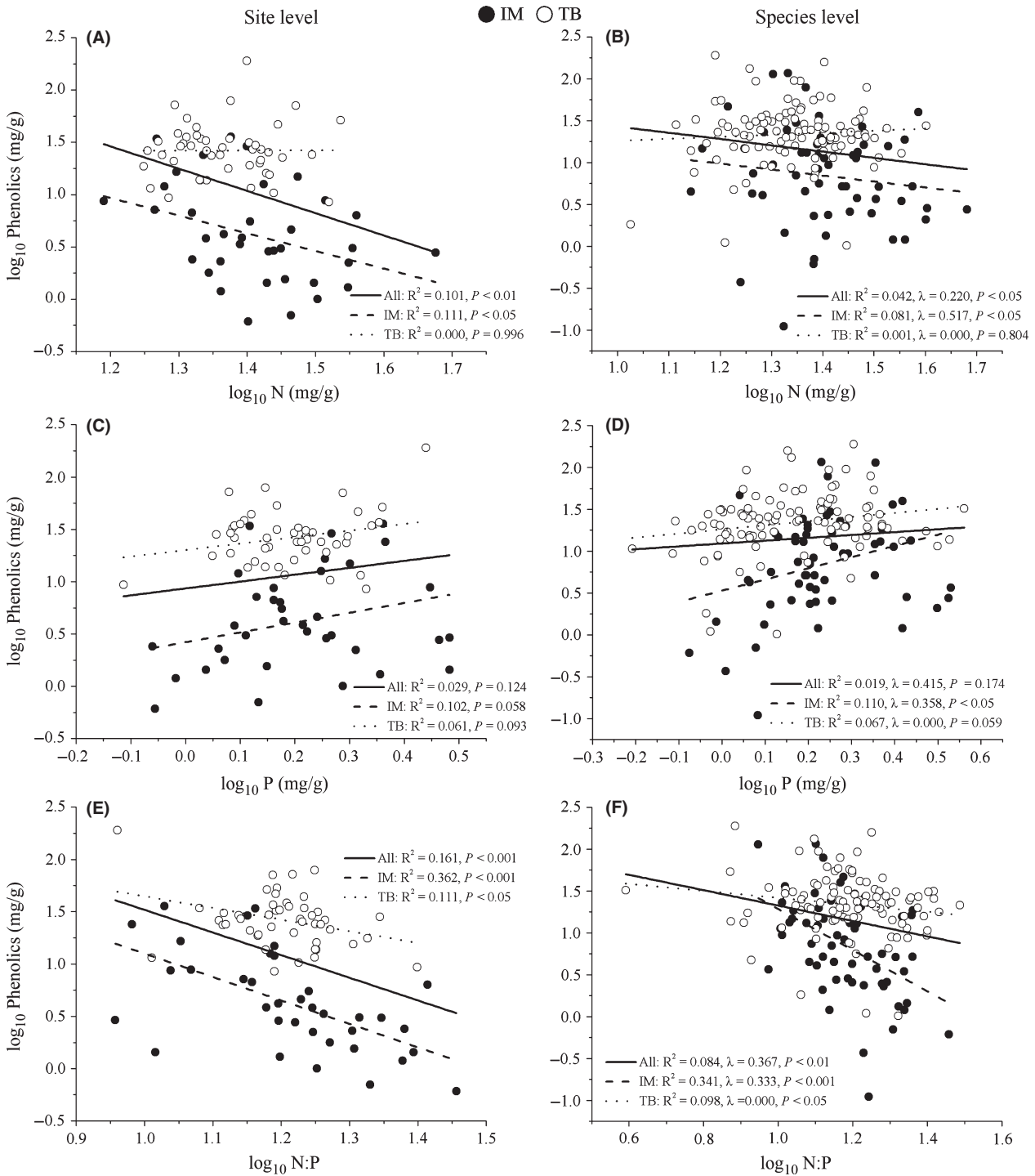


Figure 8. Relationships between leaf phenolics and leaf nutrient elements: (A, B) leaf N, (C, D) leaf P and, (E, F) N:P ratio at the site and species level, respectively. R-squared (R^2) and P -values for overall and contrasting regions (IM, Inner Mongolia; TB, Tibetan Plateau) were estimated at the site level using linear regression models, and at the species level using PGLS regression; Lambda (λ) values indicate phylogenetic independence of traits.

Table 2. Bivariate trait comparisons of grassland plants sampled in Inner Mongolia and Tibetan Plateau by phylogenetic generalized least-squares regressions at species level. Measure of phylogenetic correlation, λ . Coefficients and standard errors of \log_{10} -transformed traits.

Traits	λ	Inner Mongolia		Tibetan Plateau	
		Intercept (\pm SE)	Slope (\pm SE)	Intercept (\pm SE)	Slope (\pm SE)
Phenolics-UVAC	0.000	-0.74 \pm 0.23***	1.74 \pm 0.26***	0.34 \pm 0.28***	1.00 \pm 0.28***
Phenolics-SLA	0.042	-2.03 \pm 1.32	1.38 \pm 0.64*	0.01 \pm 0.88**	0.63 \pm 0.42*
Phenolics-N	0.179	2.90 \pm 1.07*	-1.49 \pm 0.73**	1.51 \pm 0.73**	-0.14 \pm 0.55
Phenolics-P	0.330	0.43 \pm 0.25	1.50 \pm 0.62*	1.23 \pm 0.07***	0.63 \pm 0.33***
Phenolics-N:P	0.135	4.17 \pm 0.71***	-2.85 \pm 0.58***	2.40 \pm 0.45***	-0.90 \pm 0.38**

Significance of coefficients (*t*-tests) indicated: ****P* < 0.001; ***P* < 0.01; **P* < 0.05. Significance of Inner Mongolia intercepts and slopes is tested for heterogeneity from zero. Tibetan Plateau intercepts and slopes are tested for heterogeneity from Inner Mongolia intercepts and slopes, respectively.

suspect that this may be because short-term manipulation of UVR could activate induced resistance (Roberts and Paul 2006), which mainly change the ratios of different phenolic types, but not enough to increase the constitutive resistance (Yeoman and Yeoman 1996) under the long-term selection, adaptation, and evolution in environmental stresses (e.g., UVR in our study) (Jormalainen and Honkanen 2004).

In addition, leaf UVAC also showed a similar trend with leaf phenolics between Tibetan Plateau and Inner Mongolian grasslands. This result is consistent with the view that one of the most consistent responses of plants to elevated UVB exposure is the synthesis of UV-absorbing compounds in foliage (Searles *et al.* 2001; Clarke and Robinson 2008; Newsham and Robinson 2009). Further, we found that leaf phenolics significantly increased with UVAC at both the species and site level across all grasslands. This close relationship was not affected by the phylogenetic association, further supporting that leaf phenolics are mainly caused by UVR. Further evidence of the photo-protective role of phenolics comes from observations that the ratio of the “efficient antioxidant” phenolics, such as quercetin or luteolin glycosides, to the “poor antioxidant” kaempferol or apigenin glycosides increases for plants exposed high levels of UVB and sunlight irradiation (Markham *et al.* 1998; Agati *et al.* 2009). Furthermore, some studies have also reported that leaf phenolics accumulate not only in the vacuoles and cell walls of epidermal cell and in trichomes (Wollenweber and Dietz 1981; Strack *et al.* 1988; Hutzler *et al.* 1998; Tattini *et al.* 2007), but also in the vacuoles of mesophyll cell (Kytridis and Manetas 2006; Agati *et al.* 2009) and in chloroplasts (Agati *et al.* 2007) following sunlight exposure. These findings all demonstrate that phenolic function protect leaves from photo-oxidative damage via acting as antioxidants, not only by screening the short-wavelength solar UV radiation (Close and McArthur 2002; Ryan *et al.* 2002; Agati *et al.* 2009, 2011, 2012; Agati and Tattini 2010). Consequently, higher leaf phenolics and UVAC

could facilitate plants' adaptation under the strong light and UV radiation conditions, particularly in the high-altitude Tibetan Plateau.

Difference effects of climatic and soil factors on leaf phenolics between Tibetan Plateau and Inner Mongolian grasslands

There was a significant positive relationship between leaf phenolics and UVR, and when accounting for the complex correlations between site characteristics including UVR and leaf phenolic concentrations using SEM, we found that UVR was by far the strongest predictor of total leaf phenolics across our all study sites. However, the effects of climatic and soil factors on leaf phenolics differed greatly between Tibetan Plateau and Inner Mongolian grasslands.

The biome-level difference, where there is little variation in leaf phenolics for plants on the Tibetan Plateau despite considerable variation in UV radiation, may result from the strong selection pressure exerted on plants by the physical environment on the Tibetan Plateau, with high UV radiation and severe temperatures. Hence, the phenolic contents of plants growing on the Tibetan Plateau converge on a relatively narrow range of leaf phenolics due to this strong environmental filter. Yet even despite such convergence, total leaf phenolics were positively and significantly correlated only with UVR even within just the Tibetan Plateau (Fig. 5A and B). In contrast, the more moderate physical environment (e.g., low UV radiation and high temperature) on the Inner Mongolian grasslands exerts smaller selection pressures. This allows a wider range of leaf phenolics on the Inner Mongolian grasslands at both the site and species levels. At the site level in the Inner Mongolian grasslands, leaf phenolics were significantly affected by temperature, soil nitrogen, and soil carbon, and not only UV radiation. Consistent with our results, several studies documented that the declining temperature leads to a pronounced increase in

phenolics (Kuokkanen *et al.* 2001; Pennycooke *et al.* 2005; Zvereva and Kozlov 2006; Albert *et al.* 2009); and Turtola *et al.* (2005) showed that the decreasing water availability reduced the total concentration of salicylates and phenolic acids in *Salix myrsinifolia* plantlets. For nutrient availability, there are conflicting results. de la Rosa *et al.* (2001) showed that nutrient addition reduced the concentrations of phenolics in silver birch seedling, whereas Sundqvist *et al.* (2012) suggested that total phenolic content in litters was often higher for species that dominate on more fertile soil in Swedish subarctic tundra, which was in line with our results. The variability in these environmental factors thus might mask the UV effect in the Inner Mongolian grasslands. Alternatively, the low UV doses (only 161 mW/cm² on average) in the Inner Mongolian grasslands may be insufficient to trigger the responses of the phenylalanine ammonia-lyase (PAL) pathway. de la Rosa *et al.* (2001) demonstrated that individual phenolics in silver birch were a dose-dependent response to UVB radiation.

Leaf phenolics covary with other leaf functional traits

It is well known that plants have to balance their fixed biomass among growth, reproduction, and defense (Bazzaz and Grace 1997), which can be translated into trade-offs among plant functional traits from individual to species and community level (Ackerly *et al.* 2000; Suding *et al.* 2003; Violle *et al.* 2007). However, very few studies tested the relationships between leaf phenolics and other leaf functional traits, such as SLA and leaf N, P, N: P ratio, which they can indicate plant ecological strategy in trade-offs of capturing limited light and exploiting soil resource (Violle *et al.* 2007). Although UVR markedly influenced plant growth and reproduction by generating mass of UVAC and phenolics (Weinig *et al.* 2004), we did not know whether the production of leaf phenolics would incur the costs of other plant functional traits. If so, and then what effect may be produced for community attributes and ecosystem functions.

In our previous research, we addressed that the patterns of key functional traits, for example, SLA and stoichiometry of leaf N: C and N: P (He *et al.* 2006a,b, 2008) and explored the underlying determinant factors, for example, the relative important of taxonomic, phylogenetic, and environmental changes in determining the trade-offs in leaf productivity–persistence in Chinese grasslands (He *et al.* 2009). In this study, we predicted that leaf phenolics should be related to these leaf functional traits, for example, SLA and leaf N, P, N: P ratio due to trade-offs between growth and defense. We found leaf phenolics tended to increase with SLA and decrease

with leaf N and N: P ratio, particularly in the Inner Mongolian grasslands. Our finding about the positive correlation between leaf phenolics and SLA is contrary to the result of Peñuelas *et al.* (2011). Despite no relationship between leaf phenolics and leaf P, the significant negative relationships between leaf phenolics and leaf N and N: P are well in agreement with previous results at the across-species level (Wright *et al.* 2010; Peñuelas *et al.* 2011). These results suggested that plants with larger SLA and low N: P could generate more leaf phenolics because larger area was exposed to UVR and slow growth (meaning longer exposure to UVR) (Vanni *et al.* 2002; Elser *et al.* 2003). Separating cause and effect in the relationship between leaf phenolics and leaf characteristics in these grassland systems will require controlled experiments. Our results indicated that the production of leaf phenolics may also influence on community attributes and vegetation processes via changes in leaf functional traits. Therefore, future studies are urgently needed to clarify the important consequences of plant secondary metabolites for soil nutrition cycle and further ecosystem processes.

Conclusion

Our results indicated that leaf phenolics in the Tibetan Plateau grasslands with higher UV radiation were significantly higher than that in the Inner Mongolian grasslands with lower UV radiation from the site-, species-, genus- to vegetative type level. Most importantly, we found that UV radiation was the strongest climatic factor driving the variation of leaf phenolics across Chinese grasslands, suggesting that higher leaf phenolics could facilitate plants' adaptation under the strong light and UV radiation conditions, particularly in the high-altitude Tibetan Plateau. Our results also indicate that leaf phenolics may influence on vegetation attributes and indirectly on ecosystem processes by covarying with other leaf functional traits.

Acknowledgments

The authors are grateful to Wenhong Ma and Cunzhu Liang for assistance with field sample collections. This work was supported by the National Natural Science Foundation of China (Grant No. 31025005, 31021001, and 31200306), National Program on Key Basic Research Project (Grant No. 2010CB950602), and Chinese Academy of Sciences Fellowships for Young International Scientists (Grant No. 2012Y1SA0010).

Conflict of Interest

None declared.

References

- Ackerly, D. D., S. A. Dudley, S. E. Sultan, J. Schmitt, J. S. Coleman, C. R. Linder, et al. 2000. The evolution of plant ecophysiological traits: recent advances and future directions. *Bioscience* 50:979–995.
- Agati, G. and M. Tattini. 2010. Multiple functional roles of flavonoids in photoprotection. *New Phytol.* 186:786–793.
- Agati, G., P. Matteini, A. Goti, and M. Tattini. 2007. Chloroplast-located flavonoids can scavenge singlet oxygen. *New Phytol.* 174:77–89.
- Agati, G., G. Stefano, S. Biricolti, and M. Tattini. 2009. Mesophyll distribution of ‘antioxidant’ flavonoid glycosides in *Ligustrum vulgare* leaves under contrasting sunlight irradiance. *Ann. Bot.* 104:853–861.
- Agati, G., S. Biricolti, L. Guidi, F. Ferrini, A. Fini, and M. Tattini. 2011. The biosynthesis of flavonoids is enhanced similarly by UV radiation and root zone salinity in *L. vulgare* leaves. *J. Plant Physiol.* 168: 204–212.
- Agati, G., E. Azzarello, S. Pollastri, and M. Tattini. 2012. Flavonoids as antioxidants in plants: Location and functional significance. *Plant Sci.* 196:67–76.
- Agrawal, A. A. and M. Fishbein. 2008. Phylogenetic escalation and decline of plant defense strategies. *Proc. Natl Acad. Sci.* 105:10057–10060.
- Albert, A., V. Sareedechai, W. Heller, H. K. Seidlitz, and C. Zidorn. 2009. Temperature is the key to altitudinal variation of phenolics in *Arnica montana* L. cv. ARBO. *Oecologia* 160:1–8.
- Ballare, C. L., M. M. Caldwell, S. D. Flint, A. Robinson, and J. F. Bornman. 2011. Effects of solar ultraviolet radiation on terrestrial ecosystems. Patterns, mechanisms, and interactions with climate change. *Photoch. Photobio. Sci.* 10:226–241.
- Bazzaz, F. A. and J. Grace. 1997. Plant resource allocation. Academic Press, New York, NY.
- Box, J. D. 1983. Investigation of the folin-ciocalteau phenol reagent for the determination of polyphenolic substances in natural waters. *Water Res.* 17:511–525.
- Cerovic, Z., A. Ounis, A. Cartelat, G. Latouche, Y. Goulas, S. Meyer, et al. 2002. The use of chlorophyll fluorescence excitation spectra for the non-destructive in situ assessment of UV-absorbing compounds in leaves. *Plant, Cell Environ.* 25:1663–1676.
- Chinese Academy of Sciences. 2001. Vegetation Atlas of China (1:1,000,000). Science Press, Beijing.
- Clarke, L. J. and S. A. Robinson. 2008. Cell wall-bound ultraviolet-screening compounds explain the high ultraviolet tolerance of the Antarctic moss, *Ceratodon purpureus*. *New Phytol.* 179:776–783.
- Close, D. C. and C. McArthur. 2002. Rethinking the role of many plant phenolics-protection from photodamage not herbivores? *Oikos* 99:166–172.
- Cockell, C. S. and J. Knowland. 1999. Ultraviolet radiation screening compounds. *Biol. Rev.* 74:311–345.
- Coley, P. D., J. P. Bryant, and F. S. Chapin. 1985. Resource availability and plant antiherbivore defense. *Science* 230:895–899.
- Dunn, J. L. and S. A. Robinson. 2006. Ultraviolet B screening potential is higher in two cosmopolitan moss species than in a co-occurring Antarctic endemic moss: implications of continuing ozone depletion. *Glob. Change Biol.* 12:2282–2296.
- Elser, J. J., K. Acharya, M. Kyle, J. Cotner, W. Makino, T. Markow, et al. 2003. Growth rate-stoichiometry couplings in diverse biota. *Ecol. Lett.* 6:936–943.
- Fox, J. 2006. Structural equation modeling with the sem package in R. *Struct. Equ. Modeling* 13:465–486.
- Fraenkel, G. S. 1959. The Raison d’Être of secondary plant substances: these odd chemicals arose as a means of protecting plants from insects and now guide insects to food. *Science* 129:1466–1470.
- Freckleton, R. P., P. H. Harvey, and M. Pagel. 2002. Phylogenetic analysis and comparative data: a test and review of evidence. *Am. Nat.* 160:712–726.
- Grafen, A. 1989. The phylogenetic regression. *Philos. T. Roy. Soc. B* 326:119–157.
- He, J. S., J. Fang, Z. Wang, D. Guo, D. F. Flynn, and Z. Geng. 2006a. Stoichiometry and large-scale patterns of leaf carbon and nitrogen in the grassland biomes of China. *Oecologia* 149:115–122.
- He, J. S., Z. Wang, X. Wang, B. Schmid, W. Zuo, M. Zhou, et al. 2006b. A test of the generality of leaf trait relationships on the Tibetan Plateau. *New Phytol.* 170:835–848.
- He, J. S., L. Wang, D. F. Flynn, X. Wang, W. Ma, and J. Fang. 2008. Leaf nitrogen:phosphorus stoichiometry across Chinese grassland biomes. *Oecologia* 155:301–310.
- He, J. S., X. P. Wang, D. F. B. Flynn, L. Wang, B. Schmid, and J. Y. Fang. 2009. Taxonomic, phylogenetic, and environmental trade-offs between leaf productivity and persistence. *Ecology* 90:2779–2791.
- Hijmans, R. J., S. E. Cameron, J. L. Parra, P. G. Jones, and A. Jarvis. 2005. Very high resolution interpolated climate surfaces for global land areas. *Int. J. Climatol.* 25:1965–1978.
- Hofmann, R. W., E. E. Swinny, S. J. Bloor, K. R. Markham, K. G. Ryan, B. D. Campbell, et al. 2000. Responses of nine *Trifolium repens* L. populations to ultraviolet-B radiation: Differential flavonol glycoside accumulation and biomass production. *Ann. Bot.* 86:527–537.
- Holdaway, R. J., S. J. Richardson, I. A. Dickie, D. A. Peltzer, and D. A. Coomes. 2011. Species- and community-level patterns in fine root traits along a 120 000-year soil chronosequence in temperate rain forest. *J. Ecol.* 99:954–963.
- Huttunen, S., N. M. Lappalainen, and J. Turunen. 2005. UV-absorbing compounds in subarctic herbarium bryophytes. *Environ. Pollut.* 133:303–314.

- Hutzler, P., R. Fischbach, W. Heller, T. P. Jungblut, S. Reuber, R. Schmitz, et al. 1998. Tissue localization of phenolic compounds in plants by confocal laser scanning microscopy. *J. Exp. Bot.* 49:953–965.
- Jansen, M. A. K., V. Gaba, and B. M. Greenberg. 1998. Higher plants and UV-B radiation: balancing damage, repair and acclimation. *Trends Plant Sci.* 3:131–135.
- de Jong, G. 1995. Phenotypic plasticity as a product of selection in a variable environment. *Am. Nat.* 145:493–512.
- Jormalainen, V. and T. Honkanen. 2004. Variation in natural selection for growth and phlorotannins in the brown alga *Fucus vesiculosus*. *J. Evolution Biol.* 17:807–820.
- Kang, L., X. G. Han, Z. B. Zhang, and O. J. Sun. 2007. Grassland ecosystems in China: review of current knowledge and research advancement. *Philos. T. R. Soc. B* 362:997–1008.
- Kuokkanen, K., R. Julkunen-Tiitto, M. Keinänen, P. Niemel, and J. Tahvanainen. 2001. The effect of elevated CO₂ and temperature on the secondary chemistry of *Betula pendula* seedlings. *Trees-Struct. Funct.* 15:378–384.
- Kyttridis, V. P. and Y. Manetas. 2006. Mesophyll versus epidermal anthocyanins as potential in vivo antioxidants: evidence linking the putative antioxidant role to the proximity of oxy-radical source. *J. Exp. Bot.* 57:2203–2210.
- Levin, D. A. 1971. Plant phenolics: an ecological perspective. *Am. Nat.* 105:157–181.
- Levizou, E. and Y. Manetas. 2001. Enhanced UV-B radiation, artificial wounding and leaf chemical defensive potential in *Phlomis fruticosa* L. *Plant Ecol.* 154:211–218.
- Markham, K. R., K. G. Ryan, S. J. Bloor, and K. A. Mitchell. 1998. An increase in the luteolin: apigenin ratio in *Marchantia polymorpha* on UV-B enhancement. *Phytochemistry* 48:791–794.
- Martz, F., M. L. Sutinen, K. Derome, G. Wingsle, R. Julkunen-Tiitto, and M. Turunen. 2007. Effects of ultraviolet (UV) exclusion on the seasonal concentration of photosynthetic and UV-screening pigments in Scots pine needles. *Glob. Change Biol.* 13:252–265.
- Newsham, K. K. and S. A. Robinson. 2009. Responses of plants in polar regions to UVB exposure: a meta-analysis. *Glob. Change Biol.* 15:2574–2589.
- Paradis, E., J. Claude, and K. Strimmer. 2004. APE: analyses of Phylogenetics and Evolution in R language. *Bioinformatics* 20:289–290.
- Pennycooke, J. C., S. Cox, and C. Stushnoff. 2005. Relationship of cold acclimation, total phenolic content and antioxidant capacity with chilling tolerance in *Petunia* (*Petunia* × *hybrida*). *Environ. Exp. Bot.* 53:225–232.
- Peñuelas, J., J. Sardans, J. Llusia, S. M. Owen, and Ü. Niinemets. 2011. Lower P contents and more widespread terpene presence in old Bornean than in young Hawaiian tropical plant species guilds. *Ecosphere* 2:1–19, art45.
- Pollastri, S. and M. Tattini. 2011. Flavonols: old compounds for old roles. *Ann. Bot.* 108:1225–1233.
- Roberts, M. R. and N. D. Paul. 2006. Seduced by the dark side: integrating molecular and ecological perspectives on the influence of light on plant defence against pests and pathogens. *New Phytol.* 170:677–699.
- de la Rosa, T. M., R. Julkunen-Tiitto, T. Lehto, and P. J. Aphalo. 2001. Secondary metabolites and nutrient concentrations in silver birch seedlings under five levels of daily UV-B exposure and two relative nutrient addition rates. *New Phytol.* 150:121–131.
- Rousseaux, M. C., C. L. Ballaré, A. L. Scopel, P. S. Searles, and M. M. Caldwell. 1998. Solar ultraviolet-B radiation affects plant-insect interactions in a natural ecosystem of Tierra del Fuego (southern Argentina). *Oecologia* 116:528–535.
- Rozema, J., J. van de Staaij, L. Björn, and M. Caldwell. 1997. UV-B as an environmental factor in plant life: stress and regulation. *Trends Ecol. Evol.* 12:22–28.
- Rozema, J., P. Boelen, B. Solheim, M. Zielke, A. Buskens, M. Doorenbosch, et al. 2006. Stratospheric ozone depletion: high arctic tundra plant growth on Svalbard is not affected by enhanced UV-B after 7 years of UV-B supplementation in the field. *Plant Ecol.* 182:121–135.
- Ryan, K. G., E. E. Swinny, K. R. Markham, and C. Winefield. 2002. Flavonoid gene expression and UV photoprotection in transgenic and mutant *Petunia* leaves. *Phytochemistry* 59:23–32.
- Salt, D. T., S. A. Moody, J. B. Whittaker, and N. D. Paul. 1998. Effects of enhanced UVB on populations of the phloem feeding insect *Strophingia ericae* (Homoptera: Psylloidea) on heather (*Calluna vulgaris*). *Glob. Change Biol.* 4:91–96.
- Searles, P. S., S. D. Flint, and M. M. Caldwell. 2001. A meta analysis of plant field studies simulating stratospheric ozone depletion. *Oecologia* 127:1–10.
- Searles, P. S., S. D. Flint, S. B. Diaz, M. C. Rousseaux, C. L. Ballaré, and M. M. Caldwell. 2002. Plant response to solar ultraviolet-B radiation in a southern South American *Sphagnum* peatland. *J. Ecol.* 90:704–713.
- Shi, Y., F. Baumann, Y. Ma, C. Song, P. Kuhn, T. Scholten, et al. 2012. Organic and inorganic carbon in the topsoil of the Mongolian and Tibetan grasslands: pattern, control and implications. *Biogeosciences* 9:2287–2299.
- Stafford, H. A. 1991. Flavonoid evolution – an enzymatic approach. *Plant Physiol.* 96:680–685.
- Strack, D., J. Heilemann, M. Momken, and V. Wray. 1988. Cell wall-conjugated phenolics from coniferae leaves. *Phytochemistry* 27:3517–3521.
- Suding, K. N., D. E. Goldberg, and K. M. Hartman. 2003. Relationships among species traits: separating levels of response and identifying linkages to abundance. *Ecology* 84:1–16.
- Sundqvist, M. K., D. A. Wardle, E. Olofsson, R. Giesler, and M. J. Gundale. 2012. Chemical properties of plant litter in response to elevation: subarctic vegetation challenges phenolic allocation theories. *Funct. Ecol.* 26:1090–1099.

- Tattini, M., P. Matteini, E. Saracini, M. L. Traversi, C. Giordano, and G. Agati. 2007. Morphology and biochemistry of non-glandular trichomes in *Cistus salvifolius* L. leaves growing in extreme habitats of the Mediterranean basin. *Plant Biol.* 9:411–419.
- Thines, N. J., L. A. Shipley, J. H. Bassman, J. K. Fellman, D. S. Mattison, J. R. Slusser, et al. 2007. Effects of enhanced UV-B radiation on plant chemistry: nutritional consequences for a specialist and generalist Lagomorpha. *J. Chem. Ecol.* 33:1025–1039.
- Turtola, S., M. Rousi, J. Pusenius, K. Yamaji, S. Heiska, V. Tirkkonen, et al. 2005. Clone-specific responses in leaf phenolics of willows exposed to enhanced UVB radiation and drought stress. *Glob. Change Biol.* 11:1655–1663.
- Vanni, M. J., A. S. Flecker, J. M. Hood, and J. L. Headworth. 2002. Stoichiometry of nutrient recycling by vertebrates in a tropical stream: linking species identity and ecosystem processes. *Ecol. Lett.* 5:285–293.
- Violle, C., M. L. Navas, D. Vile, C. Roumet, E. Kazakou, C. Fortunel, et al. 2007. Let the concept of plant trait be functional!. *Oikos* 116:882–892.
- Webb, C. O. and M. J. Donoghue. 2005. Phylomatic: tree assembly for applied phylogenetics. *Mol. Ecol. Notes* 5:181–183.
- Weinig, C., K. A. Gravuer, N. C. Kane, and J. Schmitt. 2004. Testing adaptive plasticity to UV: costs and benefits of stem elongation and light-induced phenolics. *Evolution* 58:2645–2656.
- Wollenweber, E. and V. H. Dietz. 1981. Occurrence and distribution of free flavonoid aglycones in plants. *Phytochemistry* 20:869–932.
- Wright, I. J., M. Westoby, and P. B. Reich. 2002. Convergence towards higher leaf mass per area in dry and nutrient-poor habitats has different consequences for leaf life span. *J. Ecol.* 90:534–543.
- Wright, D. M., G. J. Jordan, W. G. Lee, R. P. Duncan, D. M. Forsyth, and D. A. Coomes. 2010. Do leaves of plants on phosphorus-impooverished soils contain high concentrations of phenolic defence compounds? *Funct. Ecol.* 24:52–61.
- Yeoman, M. M. and C. L. Yeoman. 1996. Manipulating secondary metabolism in cultured plant cells. *New Phytol.* 134:553–569.
- Zvereva, E. L. and M. V. Kozlov. 2006. Consequences of simultaneous elevation of carbon dioxide and temperature for plant-herbivore interactions: a metaanalysis. *Glob. Change Biol.* 12:27–41.

Supporting Information

Additional Supporting Information may be found in the online version of this article:

Table S1. Description of 84 sites across the Tibetan Plateau (TB) and Inner Mongolian (IM) grasslands where leaf traits measurements were taken.

Table S2. Data of leaf traits for 151 sampled species from the Tibetan Plateau (TB) and Inner Mongolian (IM), and both regions (TB/IM).

Table S3. Leaf phenolics, UV-absorbing compounds (UVAC), and leaf traits, including specific leaf area (SLA), leaf N, P, and N:P ratio, for 5 vegetable types, 3 functional groups at site level and 9 common genera (with more than 10 species) at species-by-site level.

Table S4. The correlation coefficients of phenolics and other leaf traits including SLA, leaf C, N, leaf C:N, and leaf UVAC using the multiple regression PGLS under considering the regional differences.

Figure S1. Phylogeny hypothesis for 151 Tibetan Plateau and Inner Mongolian grassland plants used in trait analyses.